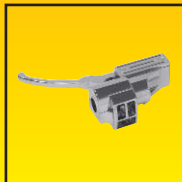


Rick Doss'

Revenge Cycle



'04
SPRING/SUMMER
Dealer Edition



CATALOG #1

The
ROAD TO REVENGE
TOUR 2004

Daytona Beach, Florida
February 28 - March 9

Laughlin, Nevada
April 23 - 27

Myrtle Beach, South Carolina
May 9 - 18

Laconia, New Hampshire
June 6 - 16

Hollister, California
July 4 - 6

Sturgis, South Dakota
August 2 - 10

Milwaukee, Wisconsin
August 24 - August 31

Reno, Nevada
September 24 - 28

Daytona Beach, Florida
October 16 - 19

Table Of Contents

Product index	ii - iv
Seats & seat accessories	1-01 - 1-02
Exhaust	2-01 - 2-02
Engine	3-01 - 3-04
Transmission & driveline	4-01 - 4-08
Electrical	5-01 - 5-04
Lighting	6-01 - 6-08
Handlebars, controls & mirrors	7-01 - 7-10
Wheels & brakes	8-01 - 8-02
Gas caps, petcocks & fuel filters	9-01 - 9-04
Chassis & sheetmetal	10-01 - 10-04
Forks & suspension	11-01 - 11-06
Foot controls, floorboards & pegs	12-01 - 12-04
Apparel	13-01 - 13-04
Fasteners, hardware & tools	14-01 - 14-02
General	15-01 - 15-02
Page / part number reference	A-01 - A-04
Terms & Policies	B-01 - B-02

BAD BOY, BUELL, CONVERTIBLE, DEUCE, DUO GLIDE, DYNA, DYNA GLIDE, DYNA WIDE GLIDE, ELECTRA GLIDE, EVOLUTION, FAT BOB, FAT BOY, FAT HEAD, HARLEY, HARLEY-DAVIDSON, H-D, HERITAGE SPRINGER, HYDRA GLIDE, HUGGER, LIGHTNING, LOW RIDER, NIGHT TRAIN, ROAD GLIDE, ROADKING, SCREAMIN EAGLE, SOFTAIL, SPORTSTER, SPRINGER, SUPER GLIDE, T-SPORT, THUNDERBOLT, TOUR-PAK, TWIN CAM, TWIN CAM 88A, TWIN CAM 88B, ULTRA CLASSIC, V-FIRE III, V-ROD AND WIDE GLIDE ARE REGISTERED TRADEMARKS OF THE HARLEY-DAVIDSON MOTOR COMPANY, INC., MILWAUKEE, WI, U.S.A.

HARLEY-DAVIDSON® AND BUELL® MOTORCYCLE MODEL DESIGNATIONS ARE UTILIZED IN THIS CATALOG FOR REFERENCE ONLY:

EL, FL, FLH, FLHC, FLHF, FLHR, FLHRCI, FLHRI, FLHRSEI, FLHS, FLHT, FLHTC, FLHTCI, FLHTCU, FLHTCUI, FLHTC, ULTRA, FLHX, FLST, FLSTC, FLSTI, FLSTF, FLSTFI, FLSTS, FLSTSI, FLT, FLTC, FLTCUI, FLTC ULTRA, FLTR, FLTRI, FXB, FXD, FXDB, FXDG, FXDL, FXDS-CON, FXDWG, FXDX, FXDXT, FXE, FXEF, FXLR, FXR, FXRC, FXRDG, FXRS, FXRSE, FXRS-SP, FXRT, FXS, FXSB, FXST, FXSTI, FXSTB, FXSTSI, FXWG, K, KH, WL, WLA, XL, XK883R, XL 1200C, XL 1200S, XLCH, XLCR, XLH, XLH 883, XLH 883C, XLH 883 HUGGER, XLH 1100, XLH 1200, XLR, XLS, XLT, XR, M2, X1, S1, S2, S2T, S3, S3T, FIREBOLT XB9R, VRSCA AND BLAST.

Product Index

A

ABS plastic dash panels10-02
ABS plastic air dams10-02
Air dams, ABS plastic10-02
Amber bulbs, LED6-08, 6-09
Ape Hanger bars7-02 - 7-09
APPAREL13-01
Axle-mount license plate bracket with LED taillight
.....6-04, 6-05

B

Ball-milled fork assemblies11-07
Baseball hats13-04
Beanies13-04
Bike dusters15-02

BIKETRONICS

Load equalizers5-03 - 5-05
Multi-function modules5-03 - 5-05
Billet hand controls7-10, 7-11
Black handlebar switches5-06, 7-12
Black throttle sleeve7-14
Blinkerspot module5-03 - 5-05
Brake bleeder kits, chrome8-04
Brake calipers8-03
Breather filter3-02
Bullet lights6-03

C

Caliper mounts, rear8-03
Calipers8-03
Cat eye mirrors7-15
CHASSIS & SHEETMETAL10-01
Chin fairings, ABS plastic10-02
Chrome seat rail covers1-03, 1-04
Chrome billet brake bleeder kits8-04
Chrome billet clutch lever7-11
Chrome billet fork sliders11-06
Chrome billet hand controls7-10, 7-11
Chrome billet switch housings7-11
Chrome billet triple trees11-06, 11-07
Chrome billet valve stem caps8-02
Chrome frenched headlight6-02
Chrome fork drain screw kits11-06, 14-02
Chrome grips7-14
Chrome handlebar switches5-06, 7-12
Chrome hardware kits for hand controls 7-14, 14-02
Chrome hardware kits, OEM calipers ..8-04, 14-03
Chrome headlights6-02
Chrome headlight mounts6-02
Chrome mirrors7-15 - 7-16
Chrome pop-up screw-in gas caps9-02
Chrome smoothie headlight6-02
Chrome swingarm and axle covers10-04
Chrome visor headlight6-02
Chrome and raw finish pop-up gas caps, weld in
.....9-03
Clutch lever, chrome7-11
Complete front end assemblies11-02 - 11-03
Complete ball-milled front ends11-07

Crankcase breather3-02

D

Dash panels, ABS plastic10-02
DC TECHNOLOGIES
Starters5-02
Derby/side-mount license plate with taillight ..6-04
Deuce® lens kits6-10
Deuce®-style running light assemblies6-07
Deuce® taillight adaptor6-05
Domed lens kits6-12
Domed points covers3-02
Doss products - see Rick Doss products
Drain screw kits, forks, chrome11-06
Dyna®, FL®, FXR®, XL® shocks11-09

E

ELECTRICAL5-01
ENGINE3-01
Engine breather filter3-02
Euro taillight assembly6-06
EXHAUST SYSTEMS2-01

F

Fairings, chin scoop, ABS plastic10-02
FASTENERS, HARDWARE & TOOLS14-01
Fat Ape bars7-02 - 7-09
Fat bars7-02 - 7-09
Fat Knuckle bars7-02 - 7-09
Fat panel bars7-02 - 7-09
Fat T-bars7-02 - 7-09
Filter, engine breather3-02
Filters, fuel9-04
FL®, FXR®, XL®, Dyna® shocks11-09
Flamed shirts13-02
Flashing LED brake light bulbs6-08
Flat lens kits6-11
Fork sliders, chrome11-06
FORKS & SUSPENSION11-01
Frenched-style headlight6-02
Frontrunner module5-03 - 5-05
Fuel gauge replacement cap9-02
Fuel filters9-04
Fuel petcock9-04
FXR® 5-speed transmission4-04
FXR® 6-speed transmission4-05
FXR®, XL®, Dyna®, FL® shocks11-09

G

GAS CAPS, PETCOCKS & FUEL FILTERS9-01
Gas caps, pop-up, screw-in9-02
Gas caps, pop-up, weld in9-03
GENERAL15-01
GOLAN PRODUCTS
Petcocks9-04
Fuel filters9-04
Crankcase breather filters3-02
Grips, chrome7-14

H

- H3 spotlamp bulbs6-09
- H4 headlight bulbs6-09
- HANDLEBARS, CONTROLS & MIRRORS**7-01
- Hand controls7-10, 7-11
- Handlebar assemblies7-03 - 7-09
- Handlebar controls7-10, 7-11
- Handlebar control screw kits, chrome...7-14, 14-02
- Handlebar grips7-14
- Handlebar switches, black5-06, 7-12
- Handlebar switches, chrome5-06, 7-12
- Handlebars7-02 - 7-09
- Handlebars, wired with switches7-03
- Headlights6-02
- Headlight mounts6-02
- Hydraulic clutch master cylinders7-11
- Hyper-bright LED bulbs6-08
- Hyper-bright LED bulbs, 90°6-09

J

- Jackshaft kits5-02

K

- Knuckle bars7-02 - 7-09

L

- LED bulbs6-08, 6-09
- LED bulbs with flashing brake light6-08
- LED bullet lights6-03
- LED keychain flashlights15-02
- LED license plate screws6-07
- LED mirrors7-15
- LED valve stem caps8-02
- Leaf mirrors7-16
- Lean Right motorcycle stand10-03, 14-04
- Lens kits, turn signals6-10 - 6-12
- License plate screws, LED6-07
- LIGHTING**6-01
- Load equalizers5-03 - 5-05
- Lowering kits, Softail11-10

M

- Maltese cross mirrors7-16
- Master cylinders7-11
- Master cylinder rebuild kits7-14
- Mini-fuel filters9-04
- Mirrors, cat eye7-15
- Mirrors, chrome7-15 - 7-16
- Mirrors, oval7-15
- Mirrors, rectangle7-15
- Mirrors with LED turn signals7-15
- Motorcycle stand, Lean Right10-03, 14-04
- Multi-function modules5-03 - 5-05

N

- 90° hyper-bright LED bulbs6-09

O

- OEM caliper bolt kits8-04 - 14-03
- OEM-style handlebar controls7-10
- OEM-style mirrors7-16
- Oval mirrors7-15

P

- Petcocks9-04
- Plastic dash panels10-02
- Points covers, domed3-02
- Pop-up gas caps, chrome, screw-in9-02
- Pop-up gas caps, weld-in9-03
- Pre-wired handlebars with switches7-03
- Programmable speedo sensor, billet aluminum .4-06

Q

- Quick release seat pin kits9-99

R

- Radius side-mount license plate brackets w/LED
taillight6-04
- Rear caliper mounts8-03
- Rebuild kits, master cylinders7-14
- Rectangular mirrors7-15
- Red bulbs, LED6-08, 6-09
- Revenge flamed shirts, jackets13-02, 13-03
- Revenge beanies13-04
- Revenge flamed baseball hats13-04

RICK DOSS

- ABS plastic air dams10-02
- ABS plastic dash panels10-02
- Chrome billet brake bleeder kits8-04
- Chrome billet valve stem caps8-02
- Chrome side-mount license plate bracket ...6-05
- Chrome side-mount license plate bracket w/ LED
taillight6-05
- Complete front end assemblies
.....11-02, 11-03, 11-07
- Domed chrome points covers3-02
- Fat panel bars7-02
- Fat panel bar assemblies9-99
- Fork slider assemblies7-03 - 7-09
- LED bullet lights, chrome6-03
- LED Strut marker lights, chrome6-03
- Triple tree sets11-06, 11-07
- Quick release seat pin kits1-02

ROADMAX

- FXR® 5-speed transmission4-04
- FXR® 6-speed transmission4-05
- Softail® 5-speed transmissions4-02
- Softail® 6-speed transmissions4-03, 4-06
- Softail® primary kits9-99
- TC88® and Evolution® FLT® 6-speed conversion kits
.....4-06
- Running lights, Deuce®6-07

S

- Screw-in pop-up gas caps, chrome9-02

Product Index

S (continued)

Seat pin kits	1-02
Seat rail covers, chrome	1-03, 1-04
SEATS & SEAT ACCESSORIES	1-01
Side-mount LED bullet lights	6-03
Side-mount license plate derby cover with LED taillight	6-04
Sleeve, throttle	7-14
Smart equalizer	5-03 - 5-05
Smoked lens kits	6-10 - 6-12
Softail® 5-speed transmissions	4-02
Softail® 6-speed transmissions	4-03, 4-06
Softail® primary kits	4-06
Softail® shocks	11-08
Speedometer sensor, programmable	4-06
Starters	5-02
Super-bright LED bulbs	6-08
Super-mini fuel filters	9-04

SWAY-A-WAY

Dyna®, FXR®, FL®, XL® shocks	11-09
Softail® lowering kits	11-10
Swingarm pivot side-mount license plate bracket with LED taillight	6-05
Swingarm pivot side-mount license plate bracket	6-05
Swingarm and axle cover kits, chrome	10-04
Switch housings, chrome	7-11
Switches, handlebar	5-06, 7-12
Switches, black	5-06, 7-12
Switches, chrome	5-06, 7-12

T

T-Bars	7-02
TC88® and Evolution® FLT® 6-speed conversion kits	4-06
Tailbones/Tailstopper module	5-03 - 5-05
Taillight adaptor, Deuce® models, chrome	6-05
Tailrunner module	5-03 - 5-05
Tailstopper module	5-03 - 5-05
Throttle sleeve	7-14
Top-mount LED bullet lights	6-03
TRANSMISSION & DRIVELINE	4-01
Tri-bar headlight	6-02
Triple tree sets, chrome	11-06, 11-07
Triple trees, ball milled	11-07
Turn signal lens kits, smoked	6-10 - 6-12

U

Ultra-bright spot lamp bulbs, H3	6-09
----------------------------------	------

V

V-Bars	7-02
Valve stem caps	8-02
Valve stem caps, LED	8-02
Visor-style headlight	6-02

W

Weld-in pop-up gas caps, chrome and raw	9-03
WHEELS & BRAKES	8-01

WILWOOD

Calipers	8-03
Caliper mounts	8-03
Wiring extension, handlebar switches	9-99

X

Xenon H3 spotlamp bulbs	6-09
Xenon H4 headlight bulbs	6-09
XL®, Dyna®, FL®, FXR® shocks	11-09

Seats & seat accessories

SEAT ACCESSORIES

Exhaust systems

Engine

Transmission & driveline

Electrical

Lighting

Handlebars, controls & mirrors

Wheels & brakes

Gas caps, petcocks & fuel filters

Chassis & sheetmetal

Forks & suspension

Foot controls, floorboards & pegs

Apparel

Fasteners, hardware & tools

General



11-001



QUICK RELEASE SEAT PIN KITS

- Groove/ball-detent locking design
- 1/4-20 thread for '96-'03 models
- 1/4-28 thread for '73-'95 models
- Stainless steel construction
- Quick installation and true convenience
- Replacement pins available

Seat pin kit for '96-'03 models (1/4 -20 thread)

11-001 \$15.95

Seat pin kit for '73-'95 models (1/4 -28 thread)

11-002 \$15.95

Replacement pin for 11-001 & 11-002

11-003 \$2.99

11-003



11-002



13-003



13-005



13-008

13-010



CHROME SEAT RAIL COVERS

- Heavy gauge steel construction
- Brilliant chrome finish
- Adds a custom look to stock frame rails
- Designed for late-model dresser and Softail models
- Easy installation

Seat rail cover for fender-mounted seats, Road King, FLT, FLHT models '97-'03

13-008 \$110.95

Seat rail cover for frame-mounted seats, Softail® models '00-'03

Note: will NOT fit Deuce® models or motorcycles with Corbin® seats

13-010 \$99.95

CHROME SEAT RAIL COVERS

- Heavy gauge steel construction
- Brilliant chrome finish
- Adds a custom look to stock frame rails
- Designed for fender-mounted seats and frame-mounted seats
- Easy installation

Seat rail cover for fender-mounted seats, FXST Softail® models '86-'99

13-003 \$110.95

Seat rail cover for frame-mounted seats, FLST, FXSTB Softail® models '86-'99 models

Note: will NOT fit Deuce® models or motorcycles with Corbin® seats

13-005 \$88.95

Exhaust Systems

EXHAUST SYSTEMS

MORE EXHAUST SYSTEMS ARE COMING SOON!

As this catalog was being assembled, Rick was busy at work out in the R&D shop cooking up some exciting new exhaust systems for Revenge Cycle.

Well he came through, finishing up the baddest new exhaust system yet just as this catalog hit the press. So check out the Revenge Cycle website for pictures and details, and keep your eye out for our catalog updates featuring even more hot new parts!



Thinkin' of a cool new part? Or maybe somethin' you haven't seen here yet? We'd love to hear from ya, so drop us a line through our website, www.revengecycle.com or call our toll-free number, 1.877.4.REVENGE and let us know what's on your mind.

Bet your boots we're thinkin' about these things too, so keep watchin' our catalog to see what's new!

www.revengecycle.com or 1.877.4.REVENGE for details!

HOT NEW ITEM!

RICK DOSS 2-INTO-2 EXHAUST SYSTEM

14-010

\$399.95



Engine

POINTS COVERS BY WICKED WORKS



05-100 (shown)
05-110
TRIBAL SKULL



05-101 (shown)
05-111
TRIBAL SKULLS



05-102 in detail

HAND-PAINTED POINTS COVERS BY WICKED WORKS

- Head-turning 3-D style in 10 different designs
- Metal castings are individually hand-painted by skilled craftsmen for striking detail and an absolutely unique look
- All designs are available for Early Model (2-hole) and Late Model (5-hole) engines
- See the complete line of Wicked Works shift rods for Early and Late-Models in Section 4, TRANSMISSION & DRIVELINE, pages X-XX and X-XX
- Installs easily
- Sold each



05-102 (shown)
05-112
EAGLE WINGS FLAG 100



05-103 (shown)
05-113
EAGLE FLAG 100



05-104
05-114 (shown)
EAGLE BANNER 100

Tribal Skull, Early Model (2-hole) points cover	05-100	\$69.95
Tribal Skull, Late Model (5-hole) points cover	05-110	\$69.95
Tribal Skulls, Early Model (2-hole) points cover	05-101	\$69.95
Tribal Skulls, Late Model (5-hole) points cover	05-111	\$69.95
Eagle Wings Flag 100, Early Model (2-hole) points cover	05-102	\$69.95
Eagle Wings Flag 100, Late Model (5-hole) points cover	05-112	\$69.95
Eagle Flag 100, Early Model (2-hole) points cover	05-103	\$69.95
Eagle Flag 100, Late Model (5-hole) points cover	05-113	\$69.95
Eagle Banner Flag 100, Early Model (2-hole) points cover	05-104	\$69.95
Eagle Banner Flag 100, Late Model (5-hole) points cover	05-114	\$69.95

POINTS COVERS BY WICKED WORKS



05-106 in detail

HAND-PAINTED POINTS COVERS BY WICKED WORKS

- Head-turning 3-D style in 10 different designs
- Metal castings are individually hand-painted by skilled craftsmen for striking detail and an absolutely unique look
- All designs are available for Early Model (2-hole) and Late Model (5-hole) engines
- See the complete line of Wicked Works shift rods for Early and Late-Models in Section 4, TRANSMISSION & DRIVELINE, pages X-XX and X-XX
- Installs easily
- Sold each

Skulls 'N Fire, Early Model (2-hole) points cover

05-105 \$69.95

Skulls 'N Fire, Late Model (5-hole) points cover

05-115 \$69.95

Drag 'N Flames Skulls, Early Model (2-hole) points cover

05-106 \$69.95

Drag 'N Flames Skulls, Late Model (5-hole) points cover

05-116 \$69.95

Tribal Moon-Wolf, Early Model (2-hole) points cover

05-107 \$69.95

Tribal Moon-Wolf, Late Model (5-hole) points cover

05-117 \$69.95

Eagle Fire, Early Model (2-hole) points cover

05-108 \$69.95

Eagle Fire, Late Model (5-hole) points cover

05-118 \$69.95

Angelfire, Early Model (2-hole) points cover

05-109 \$69.95

Angelfire, Late Model (5-hole) points cover

05-119 \$69.95

05-105 (shown)
05-115
SKULLS 'N FIRE05-106 (shown)
05-116
DRAG 'N FLAME SKULLS05-107 (shown)
05-117
TRIBAL MOON-WOLF05-108 (shown)
05-118
EAGLE FIRE05-109 (shown)
05-119
ANGELFIRE

HEADER



DOMED POINTS COVER

- Designed to fit '99-'03 Big Twin® and Sportster® engines
- Chrome billet aluminum construction
- Easy installation

Domed points cover for '00-'03 Big Twin® and Sportster® engines
 05-040 \$38.95



Thinkin' of a cool new part? Or maybe somethin' you haven't seen here yet? We'd love to hear from ya, so drop us a line through our website, www.revengecycle.com or call our toll-free number, 1.877.4.REVENGE and let us know what's on your mind.

Bet your boots we're thinkin' about these things too, so keep watchin' our catalog to see what's new!



GOLAN CRANKCASE BREATHER

- Precision-machined billet aluminum construction
- Brilliant chrome finish
- Engine breather provides function and good looks
- Grooved case can accept small cable-ties for mounting virtually anywhere
- 5/16" hose barb on filter
- Filter can be disassembled and cleaned
- Buy one filter for the life of your motorcycle
- Quality by Golan Products

Chrome billet crankcase breather
 02-016 \$24.95

Transmission & Driveline

TRANSMISSIONS - SOFTAIL®



05-001



ROADMAX 5-SPEED TRANSMISSIONS FOR '90-'99 SOFTAIL® MODELS

- Gear Ratios: 1st - 5th: STOCK RATIOS
- Chrome lid
- Chrome end cover
- Chrome shift arm
- Chrome vent fitting
- Polished, forged trap door
- Electronic speedo cut-out in case with plug (speedometer sensor not included)
- Belt pulley with lockplate
- Wrinkle black powdercoat or silver case (cast aluminum) case finishes
- Quality by Roadmax

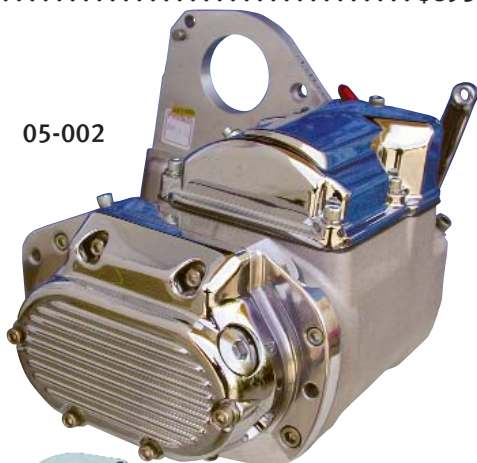


5-Speed transmission for Evolution® Softail® models, '90-'99, wrinkle black case

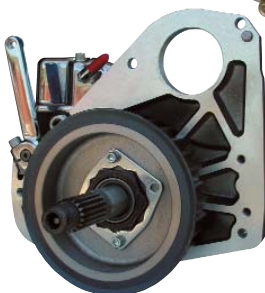
05-001 \$895.95

5-Speed transmission for Evolution® Softail® models, '90-'99, silver (cast aluminum) case

05-002 \$895.95



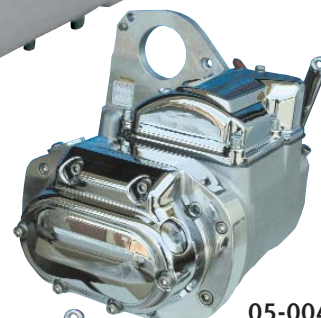
05-002



TECH NOTE -
All Roadmax 5-speed and 6-speed transmissions come complete with 32-tooth pulley and lockplate with chrome screws.



05-009



05-004



05-003



ROADMAX 6-SPEED TRANSMISSIONS FOR '90-'99 SOFTAIL® MODELS

- Gear Ratios:
1st: 2.94:1, 2nd - 5th: STOCK RATIOS, 6th: .86:1
- Chrome lid
- Chrome end cover
- Chrome shift arm
- Chrome vent fitting
- Polished, forged trap door
- Electronic speedo cut-out in trap door with plug (speedometer sensor not included)
- Belt pulley with lockplate
- Wrinkle black powdercoat, silver, polished or chrome plated case
- Quality by Roadmax



6-Speed transmission for Evolution® Softail® models, '90-'99, wrinkle black case

05-003 \$1,195.95

6-Speed transmission for Evolution® Softail® models, '90-'99, silver (cast aluminum) case

05-004 \$1,195.95

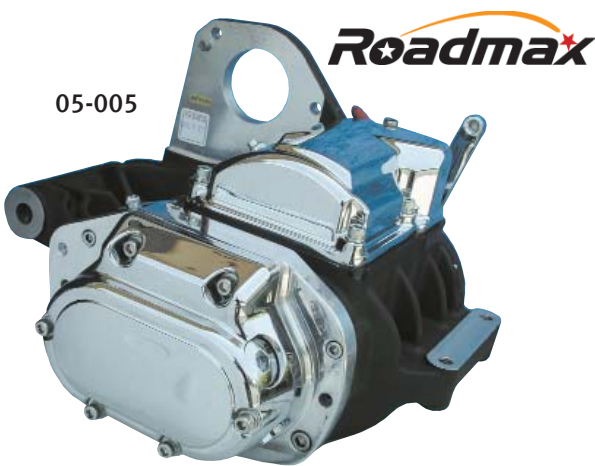
6-Speed transmission for Evolution® Softail® models, '90-'99, polished case

05-009 \$1,324.95

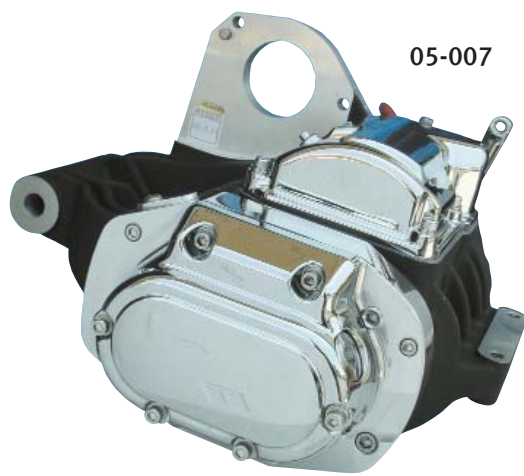
6-Speed transmission for Evolution® Softail® models, '90-'99, chrome plated case

05-010 \$1,449.95

TRANSMISSIONS - FXR®



05-005



05-007

ROADMAX 5-SPEED TRANSMISSIONS FOR '90-'94 FXR® MODELS

- Gear Ratios: 1st - 5th: STOCK RATIOS
- Chrome lid
- Chrome end cover
- Chrome shift arm
- Chrome vent fitting
- Polished, forged trap door
- Electronic speedo cut-out in case with plug (speedometer sensor not included)
- Belt pulley with lockplate
- Wrinkle black powdercoat or silver (cast aluminum) case finishes
- Quality by Roadmax

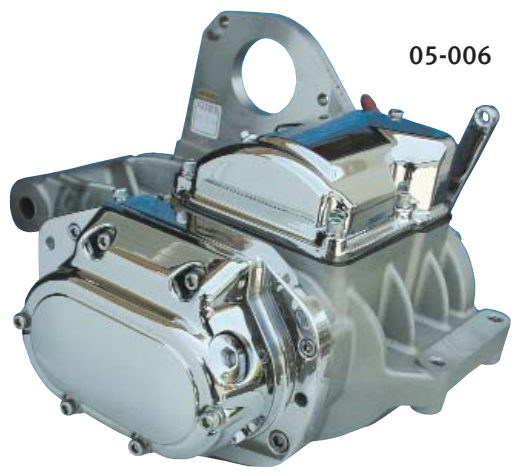
Use with Revnege Cycle Speedo Sensor # 05-039

5-Speed transmission for Evolution® FXR® models, '90-'94, wrinkle black case

05-005 \$995.95

5-Speed transmission for Evolution® FXR® models, '90-'94, silver (cast aluminum) case

05-006 \$995.95



05-006

ROADMAX 6-SPEED TRANSMISSIONS FOR '90-'94 FXR® MODELS

- Gear Ratios: 1st: 2.94:1, 2nd - 5th: STOCK RATIOS, 6th: .86:1
- Chrome lid
- Chrome end cover
- Chrome shift arm
- Chrome vent fitting
- Polished, forged trap door
- Electronic speedo cut-out in trap door with plug (speedometer sensor not included)
- Belt pulley with lockplate
- Wrinkle black powdercoat or silver
- Quality by Roadmax

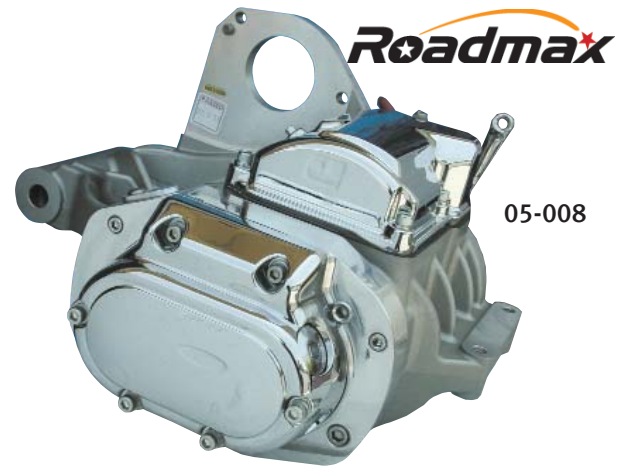
Use with Revnege Cycle Speedo Sensor # 05-039

6-Speed transmission for Evolution® FXR® models, '90-'94, wrinkle black case

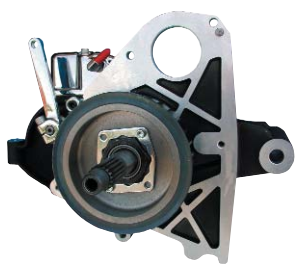
05-007 \$1,295.95

6-Speed transmission for Evolution® FXR® models, '90-'94, silver (cast aluminum) case

05-008 \$1,295.95



05-008

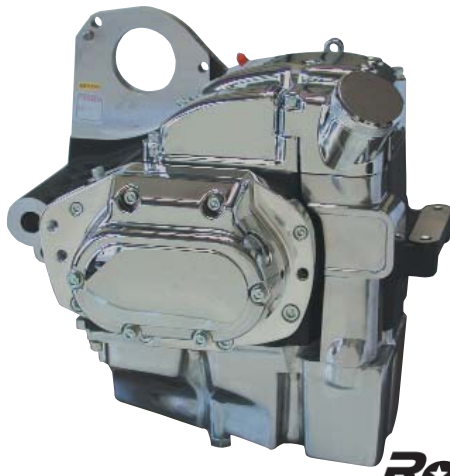


TECH NOTE -
All Roadmax 5-speed and 6-speed transmissions come complete with 32-tooth pulley and lockplate with chrome screws.

TECH NOTE -
All Roadmax 6-speed transmissions feature a cut-out on the trap door for electronic speedometer sensors (not included.)



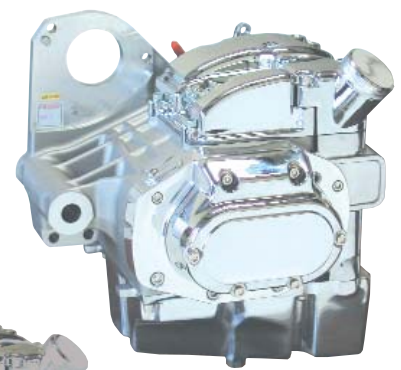
TRANSMISSIONS - DYNA®



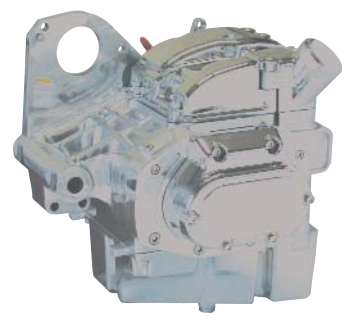
05-063



05-060



05-061



05-062

ROADMAX 5-SPEED TRANSMISSIONS FOR '91-'98 DYNA® MODELS

- **Gear Ratios:** 1st - 5th: STOCK RATIOS
- Chrome lid
- Chrome end cover
- Chrome shift arm
- Chrome vent fitting
- Chrome oil dipstick
- Polished oil pan
- Polished, forged trap door
- Electronic speedo cut-out in case with plug (speedometer sensor not included)
- Belt pulley with lockplate
- Wrinkle black powdercoat, silver (cast aluminum) or polished case finishes
- Quality by Roadmax

Use with Revnege Cycle Speedo Sensor # 05-039

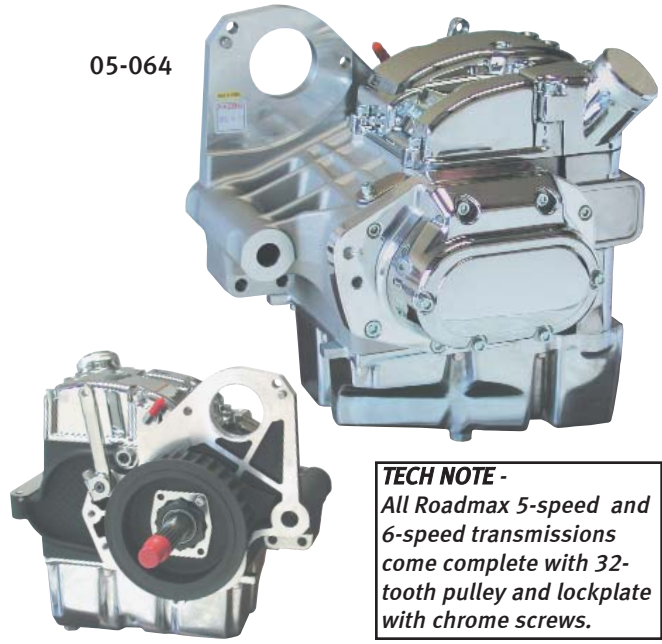
5-Speed transmission for Evolution® Dyna® models, '91-'98, wrinkle black case	05-063	\$1,194.95
5-Speed transmission for Evolution® Dyna® models, '91-'98, silver (cast aluminum) case	05-064	\$1,194.95
5-Speed transmission for Evolution® Dyna® models, '91-'98, polished case	05-065	\$1,309.95



ROADMAX 6-SPEED TRANSMISSIONS FOR '91-'98 DYNA® MODELS

- **Gear Ratios:**
1st: 2.94:1, 2nd - 5th: STOCK RATIOS, 6th: .86:1
- Chrome lid
- Chrome end cover
- Chrome shift arm
- Chrome vent fitting
- Chrome oil dipstick
- Polished oil pan
- Polished, forged trap door
- Electronic speedo cut-out in trap door with plug (speedometer sensor not included)
- Belt pulley with lockplate
- Wrinkle black powdercoat, silver (cast aluminum) or polished case finishes
- Quality by Roadmax

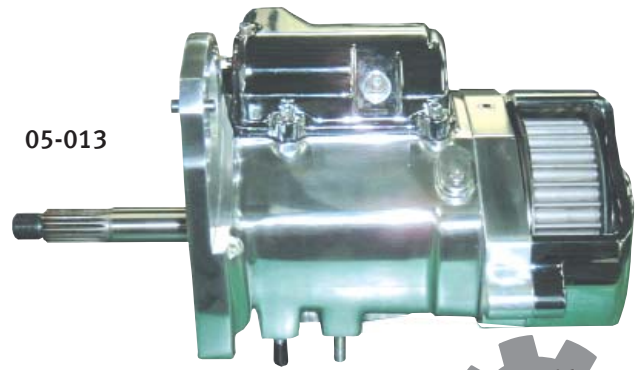
6-Speed transmission for Evolution® Dyna® models, '91-'98, wrinkle black case	05-060	\$1,369.95
6-Speed transmission for Evolution® Dyna® models, '91-'98, silver (cast aluminum) case	05-061	\$1,369.95
6-Speed transmission for Evolution® Dyna® models, '91-'98, polished case	05-062	\$1,489.95



05-064

TECH NOTE -
All Roadmax 5-speed and 6-speed transmissions come complete with 32-tooth pulley and lockplate with chrome screws.

TRANSMISSIONS - OFFSET DYNA® & SOFTAIL® RIGHT-SIDE DRIVE



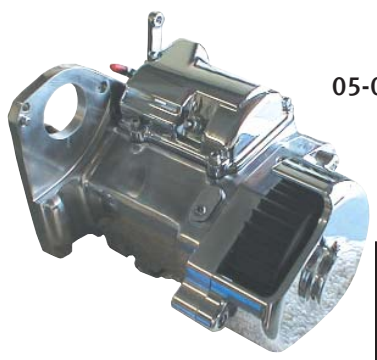
Roadmax

Use with Revnege Cycle Speedo Sensor # 05-039

ROADMAX RIGHT-SIDE DRIVE 5-SPEED TRANSMISSIONS FOR CUSTOM APPLICATIONS USING SOFTAIL® CHASSIS

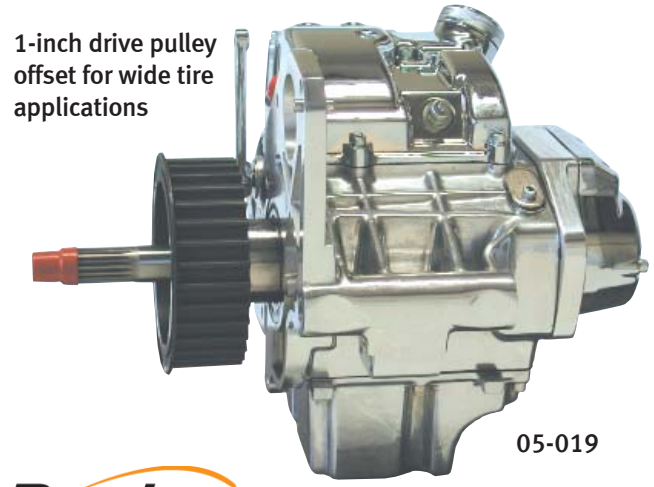
- The **ULTIMATE** transmission design for custom bikes using today's huge rear tires
- Right-side drive pulley allows powertrain to be centered in frame for better balance and handling
- **Gear Ratios:**
1st: 2.94:1, 2nd - 5th: STOCK RATIOS, 6th: .86:1
- Chrome lid
- Chrome end cover
- Chrome shift arm
- Chrome vent fitting
- Polished, forged trap door
- Electronic speedo cut-out in trap door with plug (speedometer sensor not included)
- Belt pulley with lockplate
- Wrinkle black powdercoat, silver (cast aluminum) or polished case
- Quality by Roadmax

Right-Side Drive 5-Speed transmission, wrinkle black case	
05-011	\$1,499.95
Right-Side Drive 5-Speed transmission, silver case	
05-012	\$1,499.95
Right-Side Drive 5-Speed transmission, polished case	
05-013	\$1,599.95



05-013

TECH NOTE -
All Roadmax offset Dyna® and right-side drive 5-speed transmissions come complete with 32-tooth pulley and lockplate with chrome screws.



1-inch drive pulley offset for wide tire applications

Roadmax

05-019

ROADMAX 5 & 6-SPEED TRANSMISSIONS WITH 1-INCH OFFSET FOR '91-'98 DYNA® MODELS AND CUSTOM BIKES

- The **HOTTEST** new transmission design for Dyna® models
- Trick 1-INCH offset on drive pulley to clear wide tires on stock Dyna® models or custom bikes using Dyna®-style frames
- Chrome lid
- **5-Speed Gear Ratios:** 1st - 5th: STOCK RATIOS
- **6-Speed Gear Ratios:**
1st: 2.94:1, 2nd - 5th: STOCK RATIOS, 6th: .86:1
- Chrome lid
- Chrome end cover
- Chrome shift arm
- Chrome vent fitting
- Chrome oil dipstick
- Polished oil pan
- Polished, forged trap door
- Electronic speedo cut-out in case with plug (speedometer sensor not included)
- Belt pulley with lockplate
- Wrinkle black powdercoat, silver (cast aluminum) or polished case finishes
- Quality by Roadmax

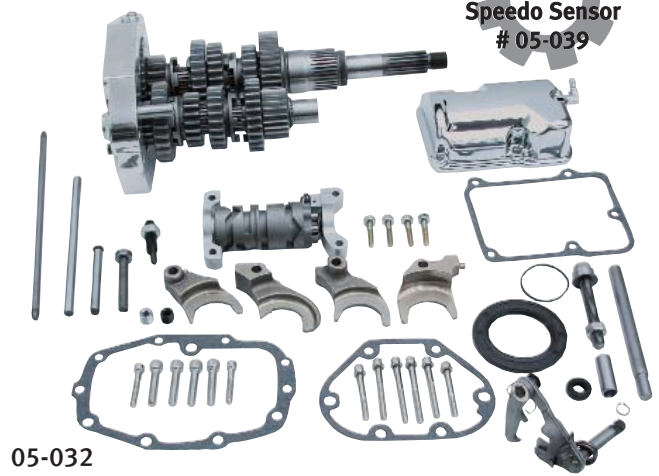
Use with Revnege Cycle Speedo Sensor # 05-039

5-Speed transmission with 1-inch offset for Evolution® Dyna® models, '91-'98, wrinkle black case	
05-017	\$1,194.95
5-Speed transmission with 1-inch offset for Evolution® Dyna® models, '91-'98, silver (cast aluminum) case	
05-018	\$1,194.95
5-Speed transmission with 1-inch offset for Evolution® Dyna® models, '91-'98, polished case	
05-019	\$1,309.95
6-Speed transmission with 1-inch offset for Evolution® Dyna® models, '91-'98, wrinkle black case	
05-014	\$1,369.95
6-Speed transmission with 1-inch offset for Evolution® Dyna® models, '91-'98, silver (cast aluminum) case	
05-015	\$1,369.95
6-Speed transmission with 1-inch offset for Evolution® Dyna® models, '91-'98, polished case	
05-016	\$1,489.95

TRANSMISSION & PRIMARY



Use with
Revnege Cycle
Speedo Sensor
05-039



05-032

ROADMAX 6-SPEED CONVERSION KITS FOR '00-'03 BIG TWIN® MODELS

- **Gear Ratios:**
1st: 2.94:1, 2nd - 5th: STOCK RATIOS, 6th: .86:1
- For Twin Cam® 88A® and 88B® models, '00-'03
- Polished, forged trap door
- Electronic speedo cut-out in trap door with plug (speedometer sensor not included)
- Quality by Roadmax

6-Speed conversion kit for '00-'03 Softail® and FLST® models EXCEPT Dyna Glide models

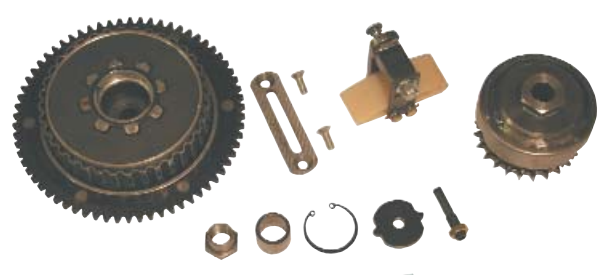
05-031 \$1,149.95

6-Speed conversion kit for '00-'03 Dyna Glide® models

05-032 \$1,149.95

6-Speed conversion kit for '00-'03 FL® touring models

05-033 \$1,149.95



05-030



ROADMAX PRIMARY DRIVE KITS FOR '90-'93 SOFTAIL® MODELS

- Complete clutch and compensator units
- Diamond® primary chain
- Complete chain adjuster and all hardware included
- Quality by Roadmax

Primary drive kit for '90-'93 Softail® models

05-030 \$749.95



05-039

PROGRAMMABLE SPEEDOMETER SENSOR

- Billet aluminum body
- Easily recalibrate for 6-speed, tire & pulley changes
- Connects to existing wiring harness, no splicing
- Fits ALL Big Twin® models with electronic speedo

Programmable speedometer sensor

05-039 \$99.95





Thinkin' of a cool new part? Or maybe somethin' you haven't seen here yet? We'd love to hear from ya, so drop us a line through our website, www.revnegecycle.com or call our toll-free number, 1.877.4.REVENGE and let us know what's on your mind.

Bet your boots we're thinkin' about these things too, so keep watchin' our catalog to see what's new!

SHIFT RODS BY WICKED WORKS



05-130 in detail

HAND-PAINTED SHIFT RODS BY WICKED WORKS

- Head-turning 3-D style in 18 different designs
- Metal castings are individually hand-painted by skilled craftsmen for striking detail and an absolutely unique look
- Threaded stainless steel rod is cast into each shift rod for high strength
- Fits Softail® and FL® models **EXCEPT** FLSTS®
- See the complete line of Wicked Works points covers for early and late-models in the ENGINE section PAGES!
- Installs easily
- Sold each

Eagle Banner 100	
05-130	\$99.95
Skullfire	
05-131	\$99.95
Eagle Flag Wings 100	
05-132	\$99.95
Skulls 'N fire	
05-133	\$99.95
Skelet 'N Flames	
05-134	\$99.95
Eaglefire	
05-135	\$99.95
Tribal Wolf	
05-136	\$99.95
Tribal Eagle	
05-137	\$99.95
Eaglefire 100	
05-138	\$99.95



05-134 in detail



05-130 EAGLE BANNER 100



05-131 SKULLFIRE



05-132 EAGLE FLAG WINGS 100



05-133 SKULLS 'N FIRE



05-134 SKELET 'N FLAMES



05-135 EAGLEFIRE



05-136 TRIBAL WOLF



05-137 TRIBAL EAGLE



05-138 EAGLEFIRE 100

Ride Doss'

Revenge Cycle

1.877.4.REVENGE toll free - 1.877.473.8364
info@revengecycle.com

TO:



PRSR1 STD
U.S. POSTAGE
PAID
PERMIT NO. 77
HOLLISTER, CA 95023

© 2003 Revenge Cycle, Inc.
All Rights Reserved
Designed, Published
and Printed in the U.S.A.